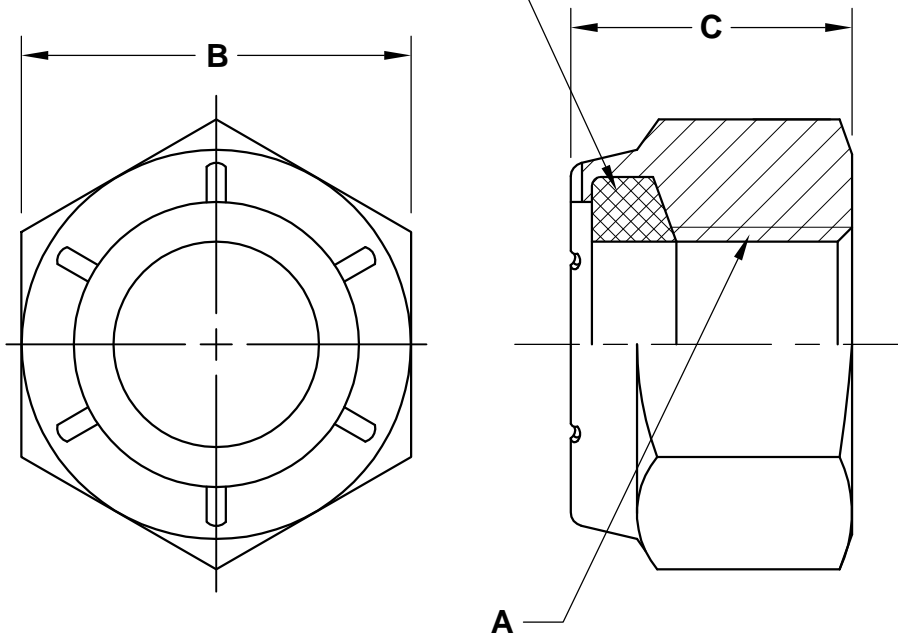


REVISIONS

PART NO. NM

Orange ring color is the registered manufacturer's I.D. for Aztech Locknut Company.¹



SIZE A	ZINC PLATED PART NUMBER	WIDTH ACROSS FLATS max / min B	THICKNESS max / min C
4-40	4CNM-AZ	.251 - .243	.153 - .133
5-40	5CNM-AZ		
6-32	6CNM-AZ	.313 - .305	.188 - .168
6-40	6FNM-AZ		
8-32	8CNM-AZ	.345 - .336	.239 - .219
10-24	10CNM-AZ	.376 - .367	.249 - .229
10-32	10FNM-AZ		
12-24	12CNM-AZ	.439 - .430	.328 - .298

1. Alternate manufacturer's identification may be in the form of other colors.

NOTES

MATL.: STEEL

APPROVAL

QC VC 11-1-05

PREVAILING TORQUE PER IFI 100/107, WHERE APPLICABLE

NM NYLON INSERT LOCKNUT



AZTECH
LOCKNUT
COMPANY

DATE	DRAWN BY	SCALE	UNITS	DWG. TYPE	REV.
9-31-05	MP	NONE	INCH	S	0