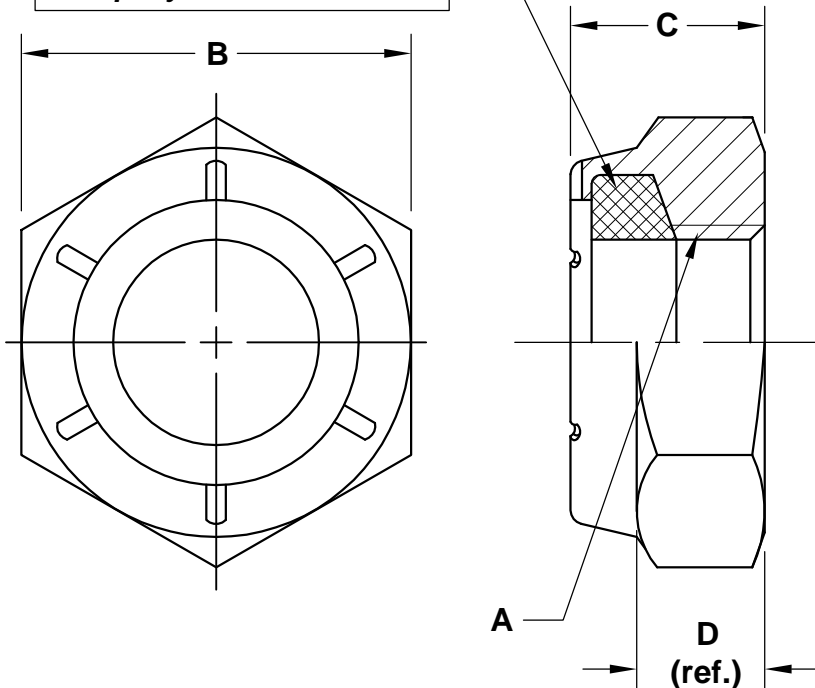


REVISIONS

PART NO. NTE

Orange ring color is the registered manufacturer's I.D. for Aztech Locknut Company. ¹



1. Alternate manufacturer's identification may be in the form of other colors.

SIZE A	ZINC PLATED PART NUMBER	WIDTH ACROSS FLATS max / min B	THICKNESS max / min C	WRENCH HEIGHT D
1/4-20	25CNTEAZ	.439 - .430	.218 - .188	.125
1/4-28	25FNTEAZ			
5/16-18	31CNTEAZ	.502 - .492	.265 - .235	.158
5/16-24	31FNTEAZ			
3/8-16	37CNTEAZ	.564 - .553	.281 - .251	.150
3/8-24	37FNTEAZ			
7/16-14	43CNTEAZ	.627 - .615	.328 - .298	.225
7/16-20	43FNTEAZ			
1/2-13	50CNTEAZ	.752 - .741	.328 - .298	.190
1/2-20	50FNTEAZ			
9/16-12	56CNTEAZ	.877 - .865	.374 - .344	.225
9/16-18	56FNTEAZ			
5/8-11	62CNTEAZ	.940 - .928	.406 - .376	.265
5/8-18	62FNTEAZ			
3/4-10	75CNTEAZ	1.064 - 1.052	.421 - .391	.288
3/4-16	75FNTEAZ			
7/8-9	87CNTEAZ	1.252 - 1.239	.484 - .454	.340
7/8-14	87FNTEAZ			
1-8	100CNTEAZ	1.440 - 1.427	.578 - .516	.405
1-14	100FNTEAZ			
1 1/8-7	112CNTEAZ	1.627 - 1.614	.672 - .610	.500
1 1/8-12	112FNTEAZ			
1 1/4-7	125CNTEAZ	1.815 - 1.801	.765 - .703	.523
1 1/4-12	125FNTEAZ			
1 3/8-6	137CNTEAZ	2.008 - 1.973	.821 - .759	.493
1 3/8-12	137FNTEAZ			
1 1/2-6	150CNTEAZ	2.197 - 2.159	.828 - .766	.565
1 1/2-12	150FNTEAZ			

NOTES

MATL.: STEEL

APPROVAL

QC VC 10-14-05

PREVAILING TORQUE PER IFI 100/107, WHERE APPLICABLE

NTE JAM NYLON INSERT LOCKNUT



DATE	DRAWN BY	SCALE	UNITS	DWG. TYPE	REV.
9-29-05	MP	NONE	INCH	S	0