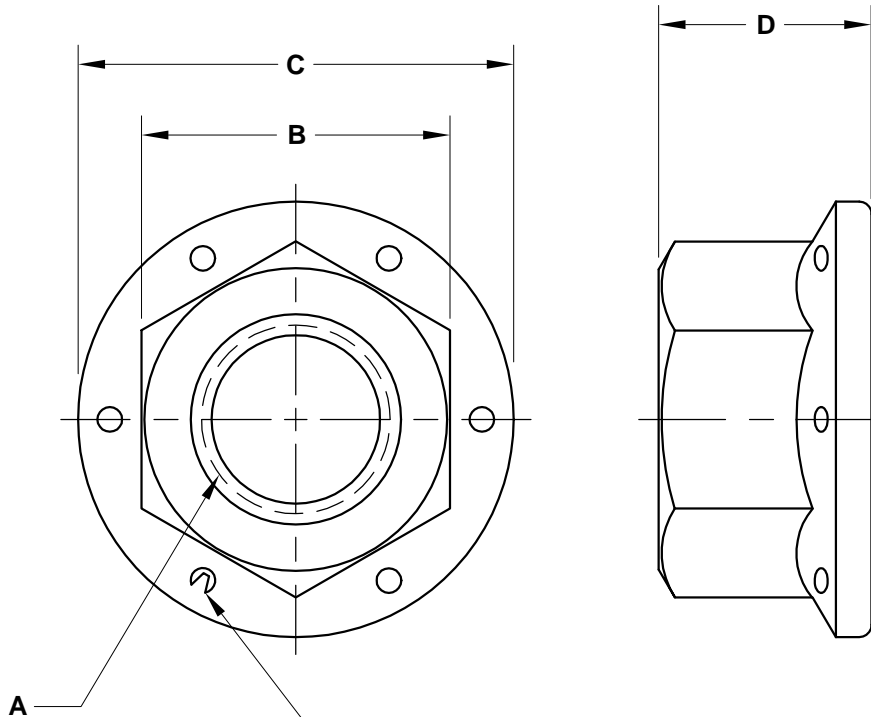


**REVISIONS**

**PART NO. RFN8**



Manufacturers I.D. and grade markings per IFI 100/107 or SAE J995

SIZE A	ZINC PLATED PART NUMBER	WIDTH ACROSS FLATS B	FLANGE DIAMETER C	NUT THICKNESS D
1/4-20	25CRFNGZ	.438 - .428	.594 MAX.	.300 MAX.
1/4-28	25FRFNGZ			
5/16-18	31CRFNGZ	.500 - .489	.680 MAX.	.365 MAX.
5/16-24	31FRFNGZ			
3/8-16	37CRFNGZ	.562 - .551	.810 MAX.	.425 MAX.
3/8-24	37FRFNGZ			
7/16-14	43CRFNGZ	.688 - .675	.937 MAX.	.495 MAX.
7/16-20	43FRFNGZ			
1/2-13	50CRFNGZ	.750 - .736	1.070 MAX.	.555 MAX.
1/2-20	50FRFNGZ			
9/16-12	56CRFNGZ	.875 - .861	1.190 MAX.	.625 MAX.
9/16-18	56FRFNGZ			
5/8-11	62CRFNGZ	.938 - .922	1.330 MAX.	.690 MAX.
5/8-18	62FRFNGZ			
3/4-10	75CRFNGZ	1.125 - 1.088	1.585 MAX.	.825 MAX.
3/4-16	75FRFNGZ			

**NOTES**

MATL.: STEEL

**APPROVAL**

QC VC 10-27-05

**FLANGE NUT, GRADE 8**



DATE	DRAWN BY	SCALE	UNITS	DWG. TYPE	REV.
10-24-05	MP	NONE	INCH	S	0