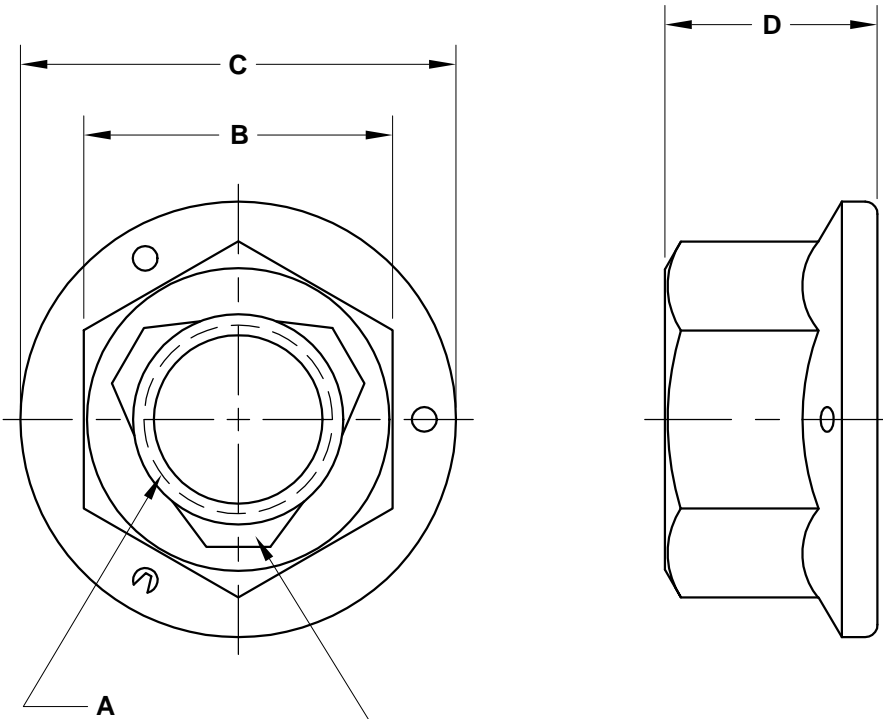


REVISIONS

PART NO. RFPF



SHAPE, SIZE AND LOCATION OF THE PREVAILING TORQUE ELEMENT OPTIONAL

SIZE A	ZINC PLATED PART NUMBER	WIDTH ACROSS FLATS B	FLANGE DIAMETER C	NUT THICKNESS D
1/4-20	25CRFPFZ	.4385 - .428	.560 MAX.	.300 MAX.
1/4-28	25FRFPFZ			
5/16-18	31CRFPFZ	.502 -.489	.680 MAX.	.365 MAX.
5/16-24	31FRFPFZ			

NOTES

MATL.: STEEL

APPROVAL

QC VC 10-14-05

**FLANGE NUT TOPLOCK
GRADE F**

UNLESS OTHERWISE INDICATED, DIMENSIONAL, MECHANICAL AND PERFORMANCE REQUIREMENTS PER IFI 100/107



DATE	DRAWN BY	SCALE	UNITS	DWG. TYPE	REV.
10-11-05	MP	NONE	INCH	S	0